



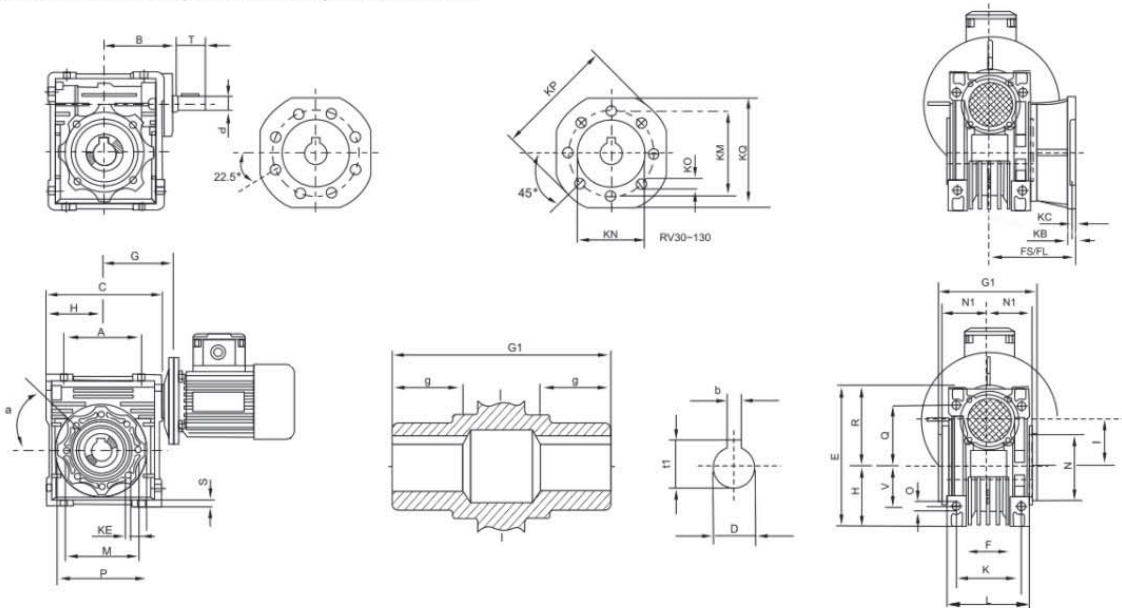
Transmech is specialized in production of various reduction gears.

Transmech aluminum body gearboxes are totally dust proof and oil leak proof with attractive look. The cooling fins in all faces having maximum surface area exposes to atmosphere for improved efficiency and more capability of heat dissipation.

Due to robust & compact construction, easy interchangeability of input flange are suitable to serve in all operating conditions of every industries.

The permissible overhung and shock loads achieved by perfect alignment of accurately bored housing for ball and taper roller bearing.

Case carburized, grounded alloy steel worm shaft ensure a positive oil film and the perfectly hoobbed phosphorous bronze worm wheel assures superior efficiency and low noise.



SIZE	A	C	D(H7)	E	F	G	H	I	L	M	N(h8)	O	P	Q	R	S	T	V	K
30	54	80	14	97	32	54	40	30	56	65	54	6.5	75	44	57	5.5	20	27	44
40	70	101	18	121.5	43	62	50	40	71	75	60	6.5	87	55	71.5	6.5	23	35	60
50	80	121.5	25	144	49	90	60	50	85	85	70	8.5	100	64	85	7	30	40	70
63	100	147.5	25	174	67	106	72	63	103	95	80	8.5	110	80	102	8	40	50	85
75	120	174	28	205	72	121	86	75	113	115	95	11	140	93	119	10	50	60	90
90	140	208	35	238	72	138	103	90	130	130	110	13	160	102	135	11	50	70	100
110	170	252.5	42	295	--	159	127.5	110	142	165	130	14	200	125	166.5	15	60	85	115
130	200	292.5	45	335	--	179	147.5	130	155	215	180	16	250	140	187.5	15	80	100	120
150	240	340	50	400	--	212	170	150	185	215	180	18	250	180	230	18	80	120	145
185	310	412	60	472	--	247	207	185	220	265	230	22	300	213	265	25	80	155	175

Size	G1	g	N1	FS	FL	KB	KC	KE	a	KM	KN(H8)	KO	KP	KQ	d(j6)	b	t1
30	63	20	29	54.5	--	6	4	M6X11(n4)	0°	68	50	6.5(4/90°)	80	70	9	5	16.3
40	78	23	36.5	67	97	7	4	M8X8(n4)	45°	87	60	9(4/90°)	110	95	11	6	20.8
50	92	30	43.5	90	120	9	5	M8X10(n4)	45°	90	70	11(4/90°)	125	110	14	8	28.3
63	112	40	53	82	112	10	6	M8X14(n8)	45°	150	115	11(4/90°)	180	142	19	8	28.3
75	120	40	57	111	--	13	6	M8X14(n8)	45°	165	130	14(4/90°)	200	170	24	8	31.3
90	140	45	67	111	--	13	6	M10X18(n8)	45°	175	152	14(4/90°)	210	200	24	10	38.3
110	155	50	74	139	--	15	6	M10X18(n8)	45°	220	170	14(8/90°)	270	250	28	12	45.3
130	170	60	81	151.5	--	15	6	M12X20(n8)	45°	255	180	16(8/45°)	320	290	30	14	48.8
150	200	70	96	155	--	15	7	M12X21(n8)	45°	255	180	16(8/45°)	320	290	35	14	53.8
185	240	70	116	190	--	22	7	M16X25(n8)	45°	350	280	22(8/45°)	400	390	40	18	64.4

Due to Continuous Developments, Dimensions & Other Details in this Catalogue may be changed without any notice.