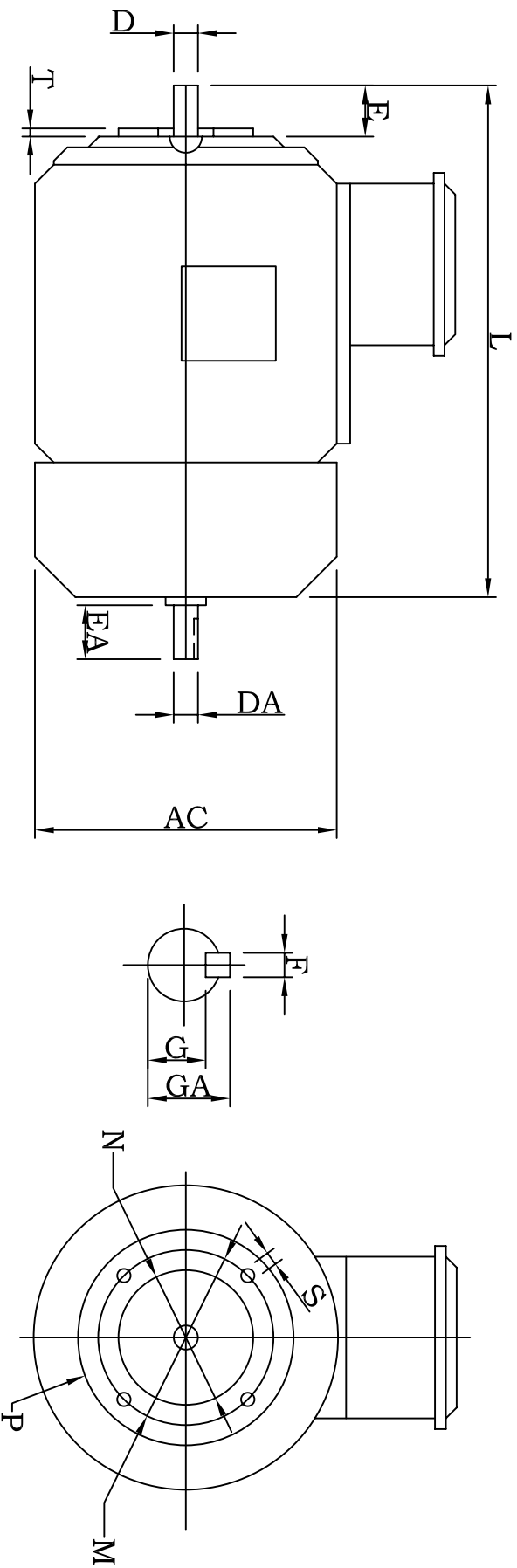


Face Mounted Motors(B14 construction)



Frame Size	M	N	P	S	T	L	AC	D/DA	E/EA	F	G	GA
63	75	60	90	M5	2.5	210	127	11	23	4	8.5	12.5
71	85	70	105	M6	2.5	245	142	14	30	5	11	16
80	100	80	120	M6	3	280	161	19	40	6	15.5	21.5
90S	115	95	140	M8	3	324	180	24	50	8	20	27
90L	115	95	140	M8	3	324	180	24	50	8	20	27
100L	130	110	160	M8	3.5	374	208	28	60	8	24	31
112M	130	110	160	M8	3.5	395	225	28	60	8	24	31
132S	165	130	200	M12	3.5	470	264	38	80	10	33	41
132M	165	130	200	M12	3.5	508	264	38	80	10	33	41

ALL DIMENSION ARE IN mm.