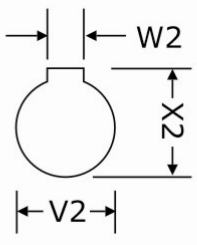
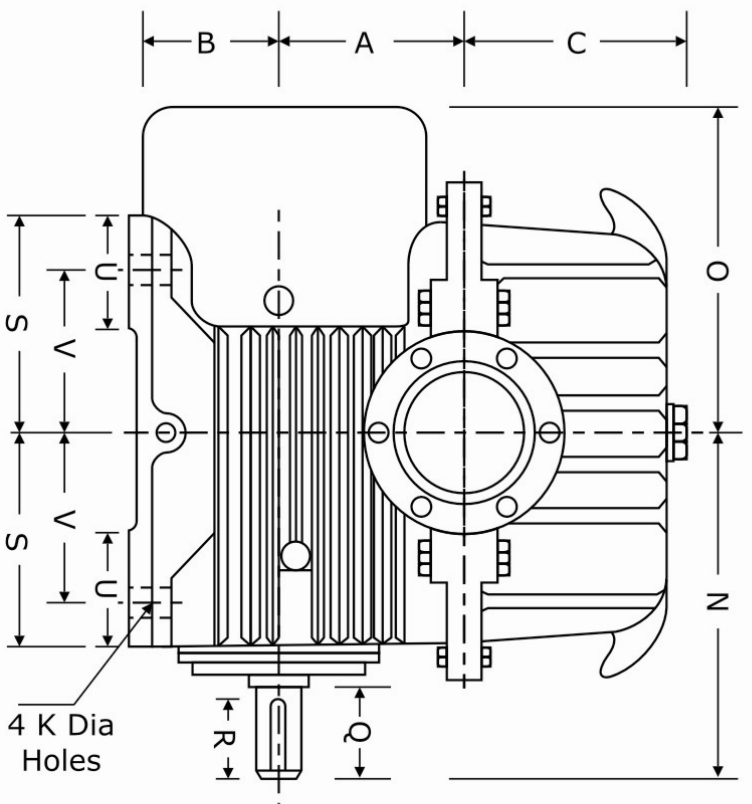
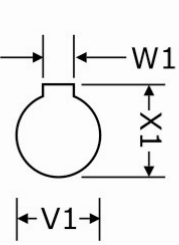


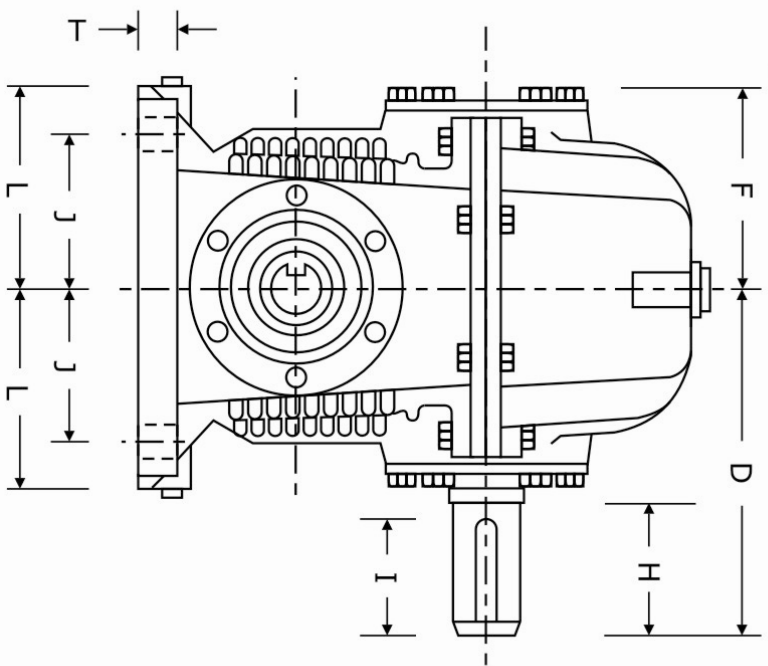
# FOOT MOUNTED UNDER DRIVEN (FMU)



OUTPUT SHAFT KEYWAY DETAIL



INPUT SHAFT KEYWAY DETAIL



## OVERALL DETAILS

## FIXING DETAILS

## SHAFT DETAILS

SIZE	OVERALL DETAILS										FIXING DETAILS										SHAFT DETAILS									
	A	B	C	D	F	N	O	J	K	L	V	S	U	T	Q	R	X1	W1	V1	H	I	X2	W2	V2						
7.0	177.8	146	210	298	162	318	292	133	27	162	152	206	95	25	80	78	51	12	45	120	110	69.5	18	65						
8.0	203.2	146	248	316	186	342	392	135	31	172	170	225	101	41	85	80	51	12	45	130	120	75	20	70						
9.0	228.6	159	264	343	194	387	372	155	27	187	215	254	108	28	95	90	54	14	50	131	125	80	20	75						
10.0	254	172	295	375	214	425	381	180	33	210	216	267	117	30	115	100	59.5	16	55	188	170	91	22	85						
12.0	304.8	197	352	481	235	495	457	185	33	220	280	360	127	33	115	110	64.5	18	60	170	165	100.5	25	95						