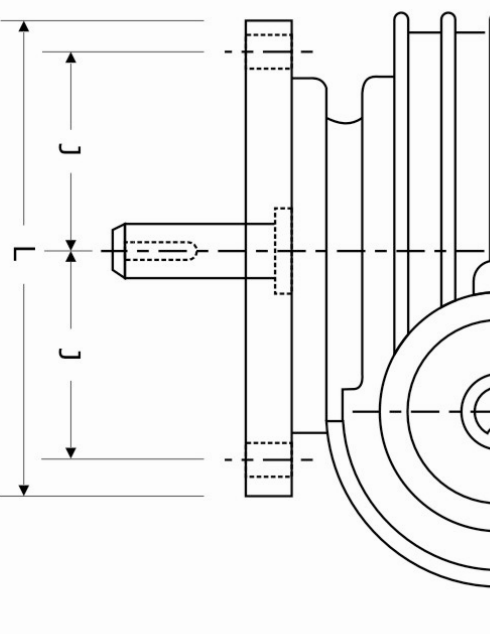
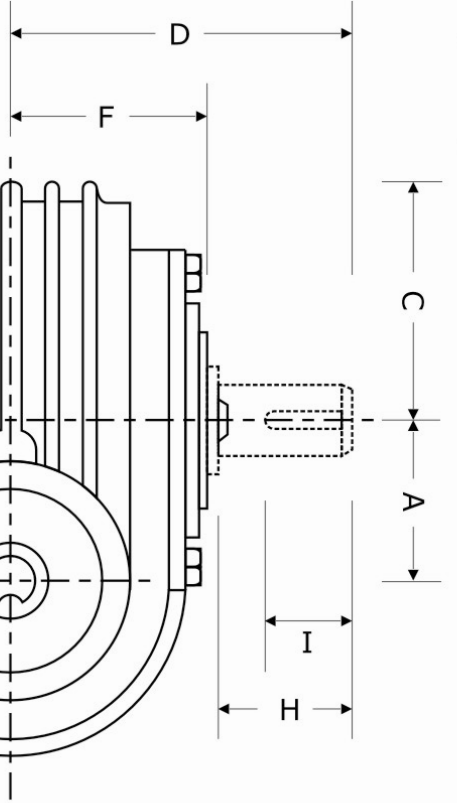
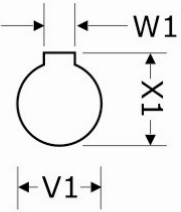
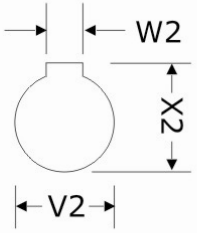
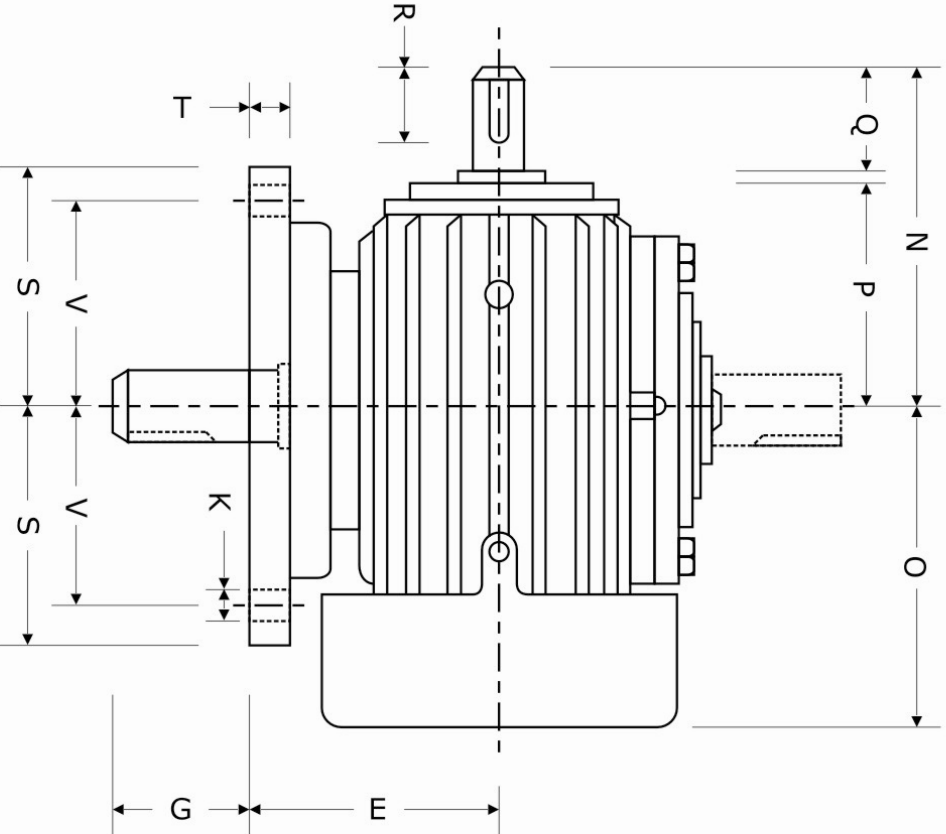


FOOT MOUNTED VERTICAL (FMV)



SIZE	OVERALL DETAILS											FIXING DETAILS							SHAFT DETAILS						
	A	C	D	F	E	G	N	O	P	J	K	L	V	S	T	Q	R	X1	W1	V1	H	I	X2	W2	V2
7.0	177.8	222	298	166	200	91	311	301	226	160	26	400	160	200	40	80	78	51	12	45	120	110	69.5	18	65
8.0	203.2	244	311	172	220	92	342	342	251	180	26	440	180	220	45	85	80	51	12	45	130	120	75	20	70
9.0	228.6	272	343	180	240	86	375	347	277	205	26	490	205	245	50	95	90	54	14	50	131	125	80	20	75
10.0	254	320	375	202	260	94	450	401	232	260	33	560	260	280	55	115	100	59.5	16	55	188	170	91	22	85
12.0	304.8	350	413	216	280	107	4850	431	357	317.5	33	620	317.5	310	60	115	110	64.5	18	60	170	165	100.5	25	95